

# XVR-116G3



## Key Features

- Support H.265/H.264 video formats
- Support audio over coaxial cable(only for TVI cameras)
- Support TVI, AHD, CVI, CVBS, IP cameras with adaptive access
- 16-channel BNC input
- Support 1-ch HDMI output, 1-ch VGA output at up to 1920\*1080
- Long transmission distance over coaxial cable
- Supports mainstream cameras of ONVIF and RTSP protocols

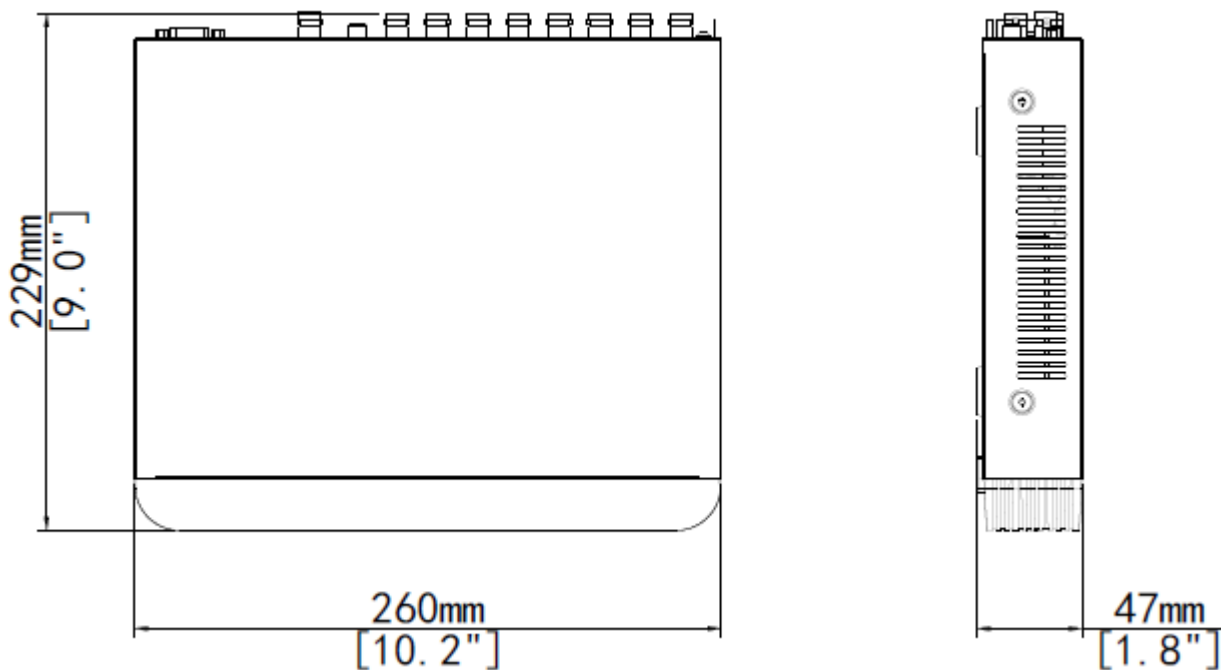
## Specifications

Model	XVR-116G3
Video/Audio Input	
Analog Video Input	16-ch, BNC
IP Video Input	8-ch(up to 16-ch after analog camera conversion)
Supported Analog Camera Types	<b>Support AHD input:</b> 5MP@12fps 4MP@15fps 1080P@30fps 720P@30fps <b>Support TVI input:</b> 5MP@12fps 4MP@15fps 1080P@30fps 720P@30fps <b>Support CVI input:</b> 1080P@30fps 720P@30fps <b>Support CVBS input</b>
Audio Input	1-ch, RCA

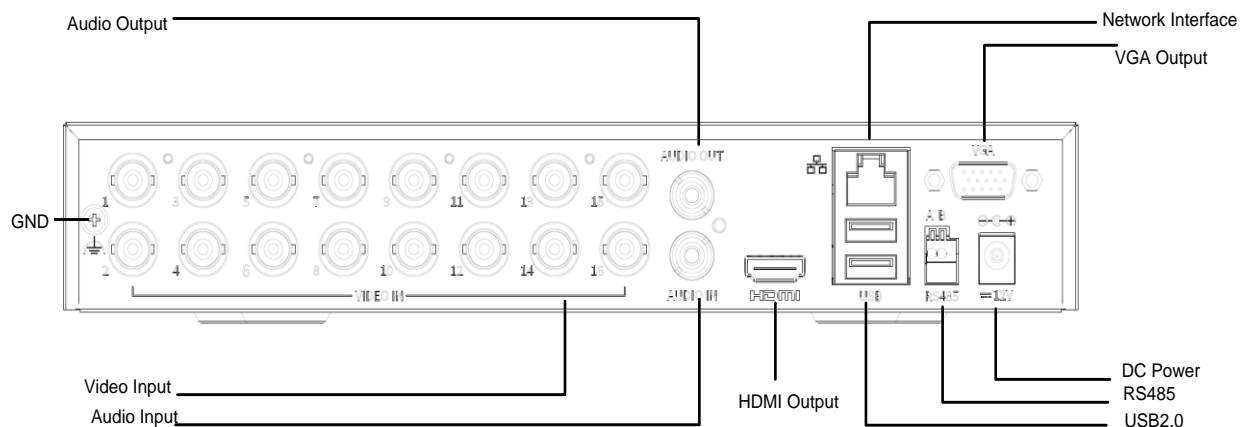
Audio Compression	G.711U	
<b>Network</b>		
Incoming Bandwidth	40Mbps (up to 56Mbps after all analog camera conversion)	
Outgoing Bandwidth	64Mbps	
Remote Users	128	
Protocols	TCP/IP, P2P, UPnP, DHCP, HTTP, HTTPS, DNS, DDNS, SMTP	
Browser	IE10/11 for Windows Firefox (version 52.0 and above) for Windows Chrome(version 45 and above) for Windows Edge(version 79 and above) for Windows	
<b>Video/Audio Output</b>		
VGA Output	1920x1080/60Hz, 1920x1080/50Hz, 1600x1200/60Hz, 1280x1024/60Hz, 1280x720/60Hz, 1024x768/60Hz	
HDMI Output	1920x1080/60Hz, 1920x1080/50Hz, 1600x1200/60Hz, 1280x1024/60Hz, 1280x720/60Hz, 1024x768/60Hz	
Audio Output	1-ch, RCA	
Synchronous Playback	HD:8-ch SD:16-ch	
Live view display	HDMI/VGA: 1/4/6/8/9/16/25	
Two-way Audio	1-ch, RCA	
<b>Snapshot</b>		
FTP/Schedule/Event Snapshot	Schedule snapshot is not supported 16-ch snapshot, up to 704*576 resolution	
<b>Encoding</b>		
Recording Resolution	5MP Lite/4MP Lite /1080P Lite/720P/CIF	
Recording Frame Rate	<b>Main stream:</b>	<b>Sub stream:</b>
	5MP Lite@6fps	D1@6fps
	4MP Lite@8fps	D1@8fps
	1080P Lite@12fps	D1@12fps
	720P@12fps	D1@12fps
Audio Sample Rate	8KHz,16 bit per channel	
Audio Bit Rate	64Kbps per channel	
<b>Decoding</b>		
Capability	Analog: 8 x 5MP Lite@6, 8 x 4MP Lite@8, 8 x 1080P Lite@12 IP: 1 x 8MP@30, 2 x 4MP@30, 4 x 1080P@30	
<b>Hard Disk</b>		
SATA	1 SATA interface	
Capacity	Up to 8TB for each HDD (The maximum HDD capacity varies with environment temperature)	
<b>Smart Alarm</b>		
VCA Detection	Ultra Motion Detection(UMD) for analog:8-ch	

VCA Search	Behavior Search
General Alarm	
General Alarm	By analog/IP camera: Motion detection
Alert Alarm	IP Conflict, Network Disconnected, Disk offline, Disk Abnormal, Illegal Access, Running Out of Space, Space Used Up, Recording Abnormal
External Interface	
Network Interface	1RJ45 10M/100M self-adaptive Ethernet Interface
USB Interface	Rear panel:2 x USB2.0
Serial Interface	1 x RS485
General	
Power Supply	12V DC Power Consumption: ≤ 10 W( without HDD )
Working Environment	-10°C ~ + 55°C ( +14°F ~ +131°F ), Humidity ≤ 90% RH(non-condensing)
Dimensions(W×D×H)	260mm × 229mm × 47mm (10.2" × 9.0" × 1.8")
Weight ( without HDD )	≤1.1 Kg ( 2.42lb )
Certification	
Certification	CE/FCC/WEEE

## Dimensions



Rear Panel



[www.uniview.com/uniarch](http://www.uniview.com/uniarch)

©2022 Zhejiang Uniview Technologies Co., Ltd. All rights reserved.

\*Product specifications and availability are subject to change without notice.